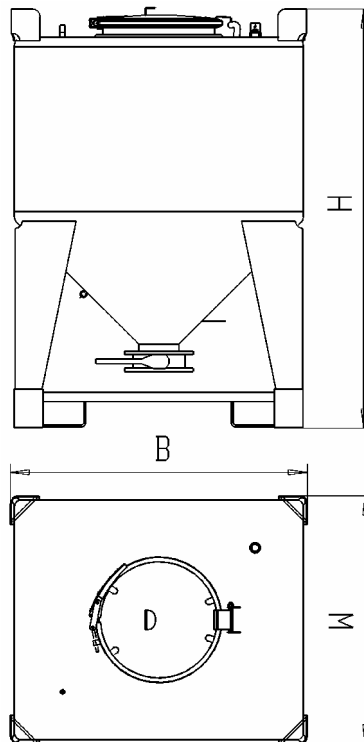
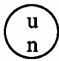


SF – Silo Fin



Type	Capacity (l)	Length B (mm)	Width W (mm)	Height H (mm)	2 Stacked Height	Tare Weight (kg/AISI304)	Gradient * of bottom	Material
SF800	800	1225	1025	1595	3160	190	45°	AISI304 AISI316
SF1000	1000	1225	1025	1760	3490	220	45°	Fe37B

- ⇒ UN Approved  Type31A
- ⇒ Handling with crane from four corners or with forklift or pallet truck from any side
- ⇒ Stackable
- ⇒ Customizable depending on product requirements and customer preferences
 - Material, connections and accessories can be selected to best suit your needs
 - *The gradient of the IBC base can be changed up to 60°

Type	Stacking on a flat surface	Max liquid relative density
SF800-SF1000	Up to two	2,2 kg/dm ³