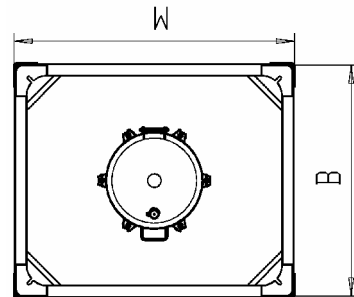
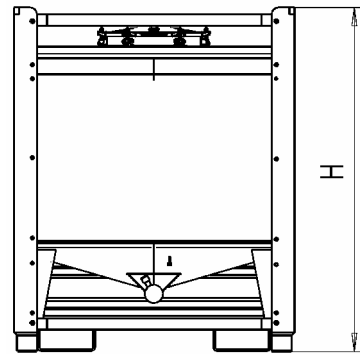
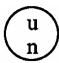


## RF – Frame Fin



Type	Capacity (l)	Length B (mm)	Width W (mm)	Height H (mm)	2 Stacked Height	Tare Weight (kg/AISI304)	Gradient of bottom	Material
RF500	500	1025	1225	1020	2010	185	20°	AISI304 AISI316 Fe37B
RF800	800	1025	1225	1310	2590	205	20°	
RF1000	1000	1025	1225	1500	2970	225	20°	
RF1200	1200	1025	1225	1690	3350	240	20°	
RF1500	1500	1025	1225	1980	3930	260	20°	

- ⇒ UN Approved  Type31A
- ⇒ Handling with crane from four corners or with forklift or pallet truck from any side
- ⇒ Stackable
- ⇒ Customizable depending on product requirements and customer preferences
  - Material, connections and accessories can be selected to best suit your needs

Type	Stacking on a flat surface	Max liquid relative density
RF500-RF1000	Up to three	1,8 kg/dm <sup>3</sup>
RF1200-RF1500	Up to two	1,8 kg/dm <sup>3</sup>