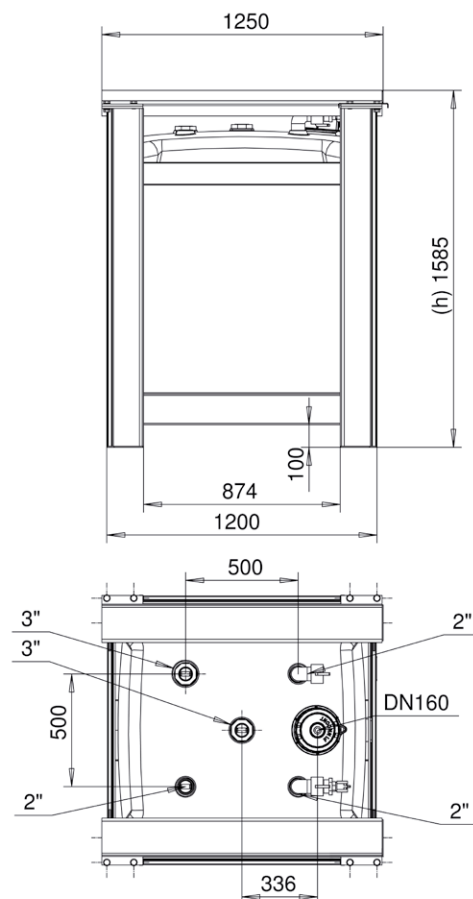


FINNCONT® PCPE Process container

IBC-container with integrated containment bund



Type	Volume (l)	Length L (mm)	Width W (mm)	Height H (mm)	Material
PC 1200	1200	1200	1250	1585	Tank and basin: LDPE Polyethylene
PC 1750	1750	1200	1250	2085	Frame: AISI304

- Use: as a process container for chemicals
- Integrated containment bund
- Tank and basin are made of strong rotationally moulded LDPE polyethylene
- 3x2" and 2x3" couplings and a large D=150 filling cap on top of the container
- Accessories on the next page

Finncont Oy, P.O.BOX 44, 34801 Virrat, Finland
 tel. +358 (0)3 485 411, fax. +358 (0)3 4854 200
 email: finncont@finncont.com, www.finncont.com



The PCPE process container is designed for the safe storage and dosing of chemicals.

Our container can be filled from a top stacked IBC or directly from a road tanker.

Containment bund is integrated into the structure of the container.



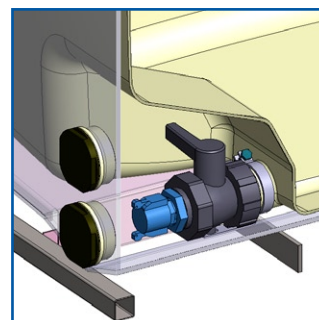
PCPE accessories:

A demountable pump holder can be used to connect various chemical metering pumps to the container.



Couplings on top can be used for various accessories, such as a mixer, level measuring equipment, or for venting the container.

The container frame can be modified to mount any manufacturers metering pump which can also be fitted on any side.



The Containment bund has access to the tank valves, so the tank can be washed and emptied through the drain valve.

Finncont Oy, P.O.BOX 44, 34801 Virrat, Finland
 tel. +358 (0)3 485 411, fax. +358 (0)3 4854 200
 email: finncont@finncont.com, www.finncont.com

