

FINNCONT® LTD

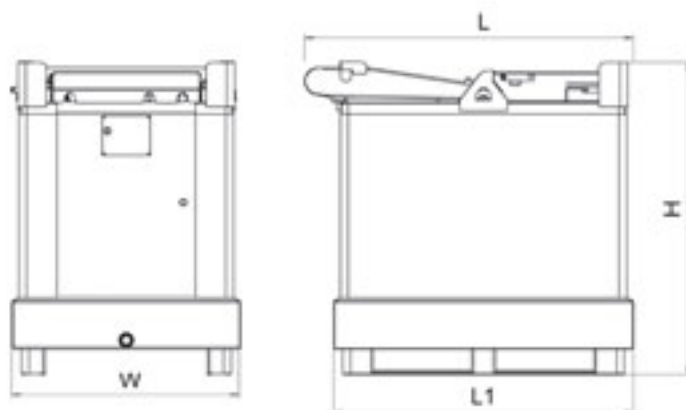
mobile double wall fuel dispensing tank
for forest machines and
construction equipment.

Foldable lifting beam



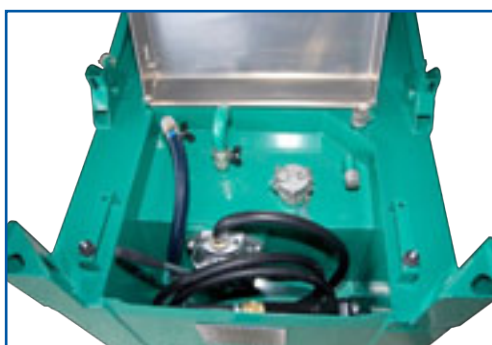
Integrated retention bund to avoid leakage.
Foldable lifting beam as option.

FINNCONT®



Type	Capacity (l)	Length L (mm)	Length L1 (mm)	Width W (mm)	Height H (mm)	Weight kg container + lifting beam	Material
LTD-500	500	1380 ±5	1255 ±5	955 ±5	910 ±5	235 ±5	Steel Fe37b / painted
LTD-900	900	1380 ±5	1255 ±5	955 ±5	1310 ±5	280 ±5	Steel Fe37b / painted

- UN-approved (U) 31A/Y/FIN/VTT
- tank fitted with a 1" pressure relief / vacuum valve
- a protective hood for dosing pump, hose and nozzle
- handling by fork lift truck on pallet, lifting by beam or chain
- stackable up to three (3)
- specific gravity rating 1,2 kg/dm³



Accessories

- manual pump
- hose 3,5 m and a nozzle
- pressure relief / vacuum valve
- 2" kamlock coupling for filling
- 3/4" male thread for suction
- 1" ball valve for venting
- electric pump available

Finncont Oy, P.O.BOX 44, 34801 VIRRAT, FINLAND
tel. +358 (0)3 485 411, fax +358 (0)3 485 4200
email: finncont@finncont.com, www.finncont.com