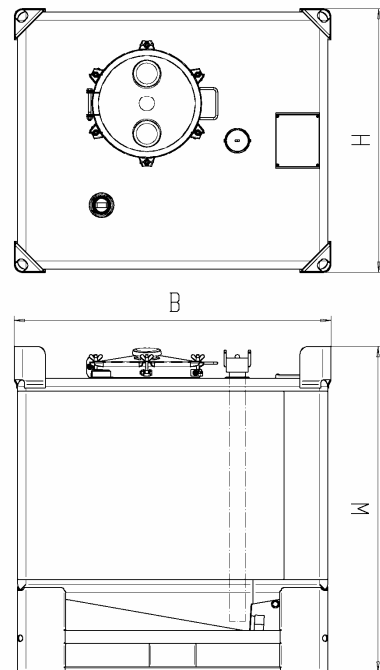
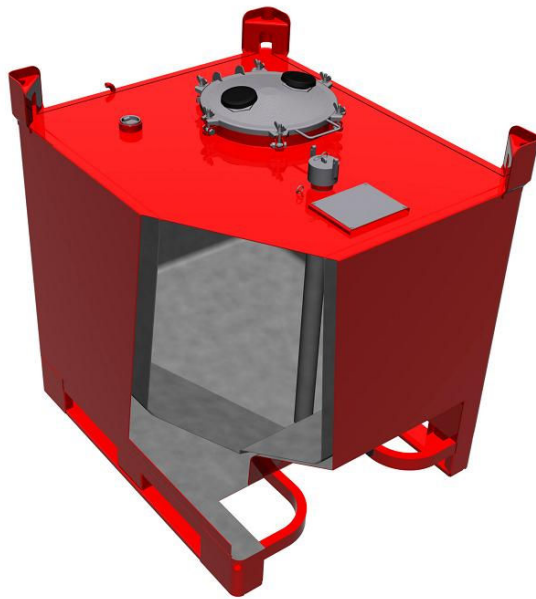
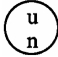


DTWO – Double Tank for *liquids*



Type	Capacity (l)	Length B (mm)	Width W (mm)	Height H (mm)	2 Stacked Height	Tare Weight (kg/Fe 3mm)	Gradient * of bottom	Material
DTWO-1000	1000	1225	1025	~1442	~2850	360	10°	Fe37B, also Aisi304

- ⇒ UN Approved  Type31A
- ⇒ Handling with crane from four corners or with forklift or pallet truck from any side
- ⇒ Volume can be chosen
- ⇒ Stackable
- ⇒ Surface powder painted (Fe37B) or pickled (AISI304/316)
- ⇒ Customizable depending on product requirements and customer preferences
 - Material (also thickness), connections and accessories can be selected to best suit your needs

Type	Stacking on a flat surface	Max liquid relative density
DTWO1000	Up to two	2,2 kg/dm ³