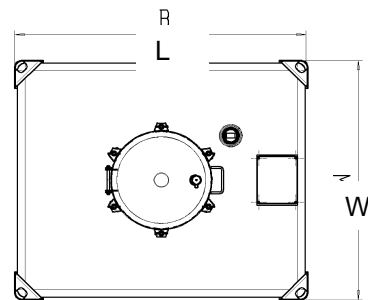
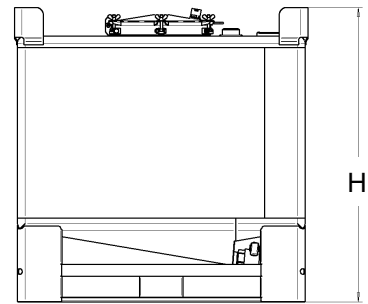


CF – Chemicals Fin



Type	Capacity (l)	Length L (mm)	Width W (mm)	Height H (mm)	2 Stacked Height	Tare Weight (kg/SS)	Gradient * of bottom	Material
CF500	500	1225	1025	840	1650	120kg/2mm	10°	
CF800	800	1225	1025	1135	2240	142kg/2mm	10°	AISI304
CF1000	1000	1225	1025	1260	2490	152kg/2mm	10°	AISI316
CF1200	1200	1225	1025	1455	2880	192kg/2,5mm	10°	Fe37B (AlMg3)
CF1500	1500	1225	1025	1770	3410	217kg/2,5mm	10°	
CF2000	2000	1225	1025	2160	4290	250kg/2,5mm	10°	

⇒ UN Approved (u n) Type31A

⇒ Handling with crane from four corners or with forklift or pallet truck from any side

⇒ Stackable

⇒ Customizable depending on product requirements and customer preferences

- Volume
- Material (also thickness), connections and accessories can be selected to best suit your needs
- Container's inner surface can be coated with plastic

Type	Stacking on a flat surface	Max liquid relative density
CF500-CF1000	Up to three	2,2 kg/dm ³
CF1200-CF2000	Up to two	1,8 kg/dm ³